

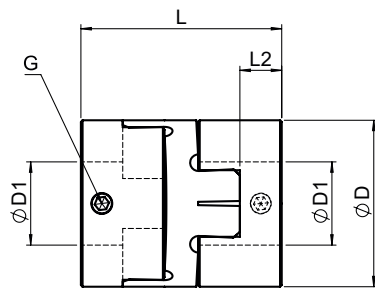
KSK - Datasheet

Specifications

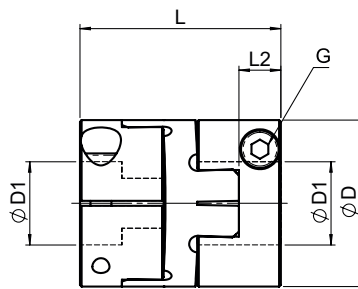
Model	Rated torque [N·m]	Misalignment			Max. rotation speed [min ⁻¹]	Torsional stiffness [N·m/rad]	Moment of inertia [kg·m ²]	Mass [kg]
		Parallel [mm]	Angular [°]	Axial [mm]				
KSK 2 AA	1.5	0.5	0.5	0.2	3000	33	0.028 × 10 ⁻⁶	0.014
KSK 3 AA	3	0.5	0.5	0.3	3000	18	0.079 × 10 ⁻⁶	0.025
KSK 4 AA	7	0.5	0.5	0.3	3000	91	0.184 × 10 ⁻⁶	0.04
KSK 2 BB	1.5	0.5	0.5	0.2	3000	33	0.028 × 10 ⁻⁶	0.014
KSK 3 BB	3	0.5	0.5	0.3	3000	18	0.079 × 10 ⁻⁶	0.025
KSK 4 BB	7	0.5	0.5	0.3	3000	91	0.184 × 10 ⁻⁶	0.04
KSK 2 BC	1.5	0.5	0.5	0.2	3000	33	0.028 × 10 ⁻⁶	0.014
KSK 3 BC	3	0.5	0.5	0.3	3000	18	0.079 × 10 ⁻⁶	0.025
KSK 4 BC	7	0.5	0.5	0.3	3000	91	0.184 × 10 ⁻⁶	0.04

Dimensions

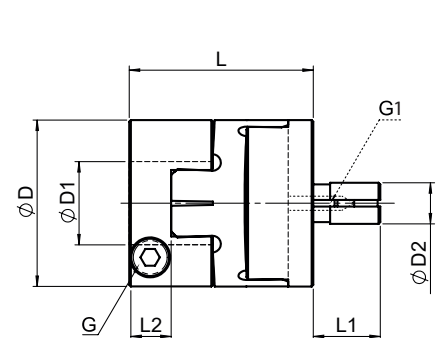
KSK-AA



KSK-BB



KSK-BC



Model	D1 Min.	D1 Max.	D2 Min.	D2 Max.	D	L	L1	L2	G	G1	Tightening torque of screws G [N·m]
KSK 2 AA	3	10	-	-	20	24	-	5	4-M3	-	0.3
KSK 3 AA	3	14	-	-	25	27.5	-	6	4-M3	-	0.3
KSK 4 AA	3	16	-	-	30	27	-	6	4-M3	-	0.3
KSK 2 BB	3	8	-	-	20	24	-	5	2-M2.5	-	0.2
KSK 3 BB	3	10	-	-	25	27.5	-	6	2-M3	-	0.3
KSK 4 BB	3	14	-	-	30	27	-	6	2-M3	-	0.3
KSK 2 BC	3	8	5	10	20	22	8	5	1-M2.5	1-M4	0.2
KSK 3 BC	3	10	6	14	25	25.5	8	6	1-M3	1-M4	0.3
KSK 4 BC	3	14	8	14	30	24	8	6	1-M3	1-M4	0.3

Unit [mm]

How to Place an Order

KSK 2 AA 9H7/9H7

